



SS-101 Series

AC SOCKET



Specifications:

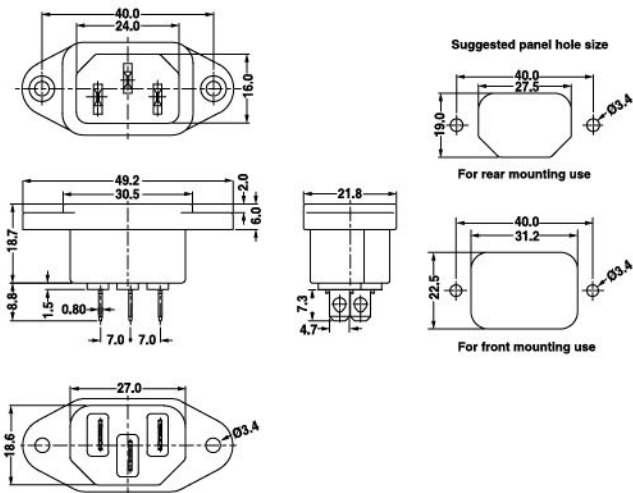
10A 250VAC T70
10A 250VAC T120



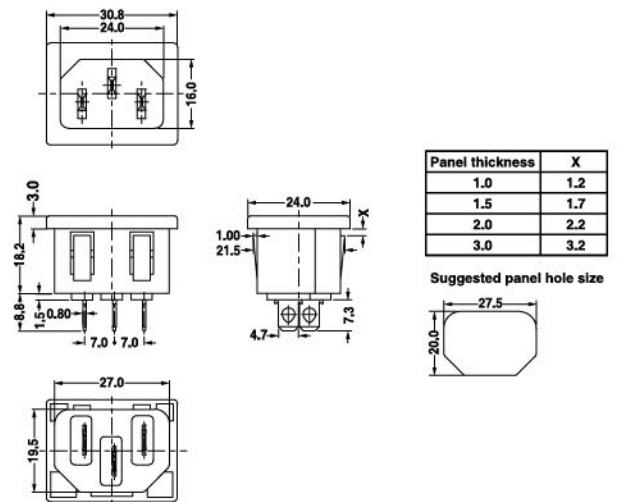
1.5A 125VAC/250VAC



SS-101



SS-101-S



SS-101

Sub. Cat.	Panel Thickness	Base Color	No. of Terminal	Terminal Type	Internal Use Only
00	0 Not Applicable	BK Black	2 2 pins	Q	
0H	1 0.8-3.0	WT White	3 3 pins	T	
S0	2 1.0	GE Grey			
SH	3 1.5				
W0	4 2.0				
WH	5 3.0				
V0					
VH					

Remarks:
 1. Option "0" of panel thickness for 00, 0H series.
 2. Option "1" of panel thickness for W0, WH, V0 & VH series.
 3. Option "2-5" of panel thickness for S0, SH series.
 4. 0H, SH, WH & VH series come with 3 pins only