



SR-99 Series

ROCKER SWITCH



SR-99A



SR-99N



SR-99N

Specifications:

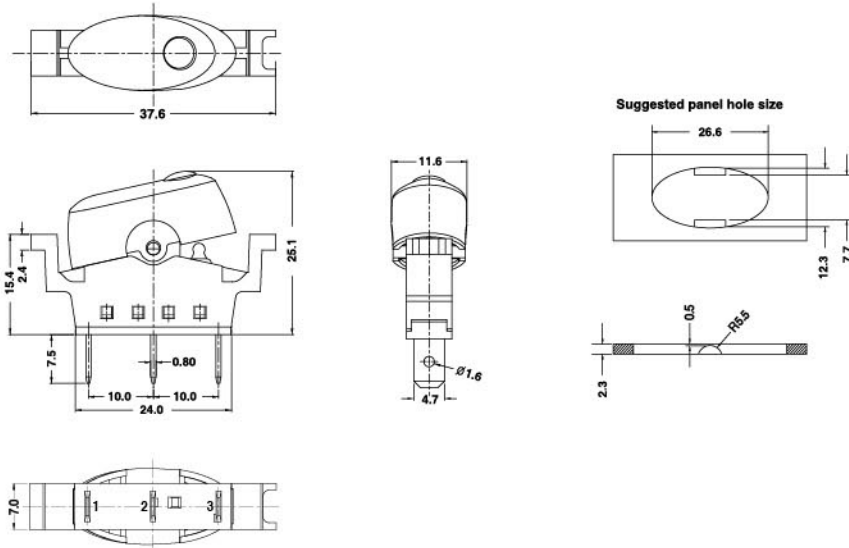
6(2)A 250VAC T125/55 5E4
10(3)A 250VAC T125/55



7.5A
15A

250VAC
125VAC

T105



SR-99

N H Q BK BK 1 0 0 RE 4

Function	Current	Terminal Type	Base Color	Button Color	Button Type	Printing	Color of Printing	Small Lens Color	Lamp Voltage	Internal Use Only
A ON-OFF	H 10(3)A 250VAC	Q	BK Black	BK Black	1	0 None	0 None	00 None	0 None	
N ON-OFF w/lamp (Unswitched neutral)	6(2)A 250VAC 5E4	Q		WT White	1	1	1 White	RE Red	3 110V	
	15A 125VAC	S		GE Grey	2	2	2 Black	GR Green	4 220V	
		Q1		RE Red	3	3	3 Red	BL Blue		
				GR Green		8	4 Blue	OR Amber		
				BL Blue		9	5 Yellow			
				OR Amber		A				
				YE Yellow						
		Q2								
		Q3								
		A								
		B								