



SR-98 Series

ROCKER SWITCH

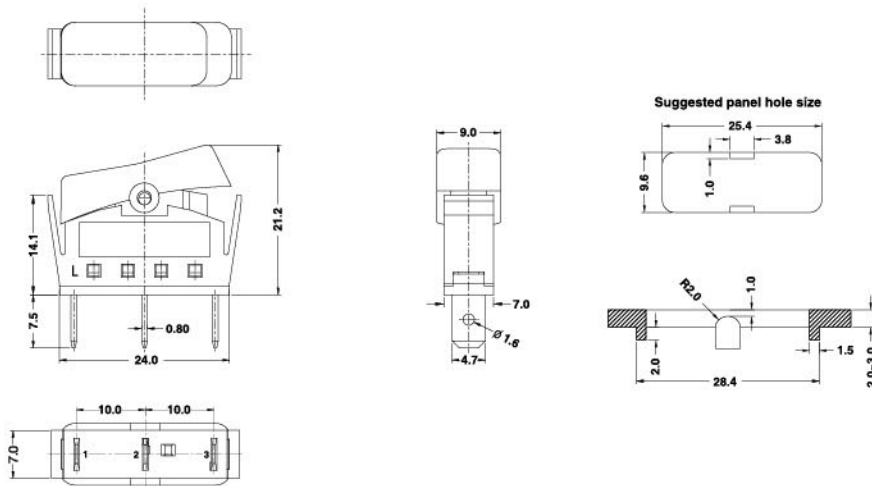


Specifications:

6(2)A 250VAC T125/55 5E4
10(3)A 250VAC T125/55



10.1A 250VAC T125
16A 125VAC



SR-98

N H Q BK RE 3 0 0 00 4

Function	Current	Terminal Type	Base Color	Button Color	Button Type	Printing	Color of Printing	Small Lens Color	Lamp Voltage	Internal Use Only
A ON-OFF	H 10(3)A 250VAC	Q	BK Black	BK Black	1	0 None	0 None	00 None	0 None	
N ON-OFF w/lamp (Unswitched neutral)	6(2)A 250VAC 5E4 16A 125VAC	S	BK Black	WT White	2	1	1 White	RE Red	3 110V	
				GE Grey	3	2	2 Black	GR Green	4 220V	
				RE Red	4	3	3 Red	BL Blue		
				GR Green	5	4	4 Blue	OR Amber		
				BL Blue	6	5	5 Yellow			
				OR Amber	7					
				YE Yellow	8					
					9					
					10					
					R					
		Q1 (Side Terminal)								
		Q2 (Middle Terminal)								
		Q3								
		A								
		B								