



SR-96 Series

ROCKER SWITCH



SR-96R (6)



SR-96A (5)



SR-96N (4)



SR-96A (5)



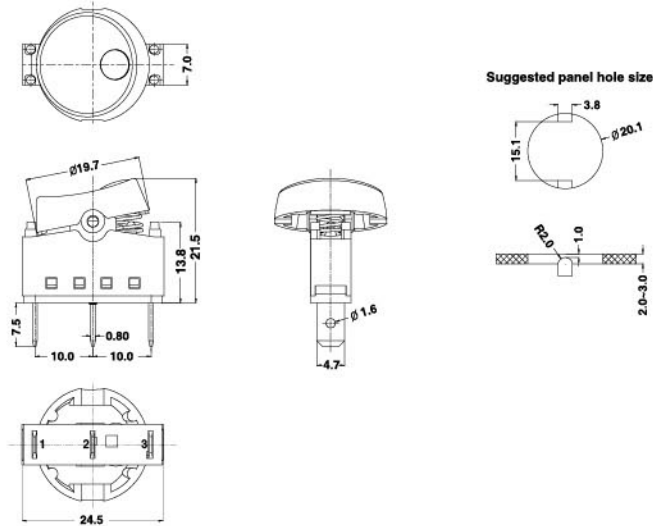
SR-96N (6)

Specifications:

6(2)A 250VAC T125/55 5E4
10(3)A 250VAC T125/55



7.5A 15A 250VAC 125VAC T105



SR-96

R L Q 1 BK BK 6 0 0 RE 4

Function	Current	Terminal Type	Base Type	Base Color	Button Color	Button Type	Printing	Color of Printing	Small Lens Color	Lamp Voltage	Internal Use Only
A ON-OFF	L 10(3)A 250VAC	Q	1	BK Black	BK Black	4	0 None	0 None	00 None	0 None	
D (ON)-OFF	6(2)A 250VAC 5E4	Q	1		WT White	5	1	1 White	RE Red	3 110V	
N ON-OFF w/lamp (Unswitched neutral)	15A 125VAC	S	2		GE Grey	6	2	2 Black	GR Green	4 220V	
R (ON)-OFF w/lamp		Q1			RE Red	R	3	3 Red	BL Blue		
		Q1			GR Green		8	4 Blue	AM Amber		
		Q1			BL Blue		9	5 Yellow			
		Q1			OR Amber		A				
		Q1			YE Yellow						
		Q2									
		Q3									
		A									
		B									