



# SR-95 Series

ROCKER SWITCH



SR-95A



SR-95P(1)



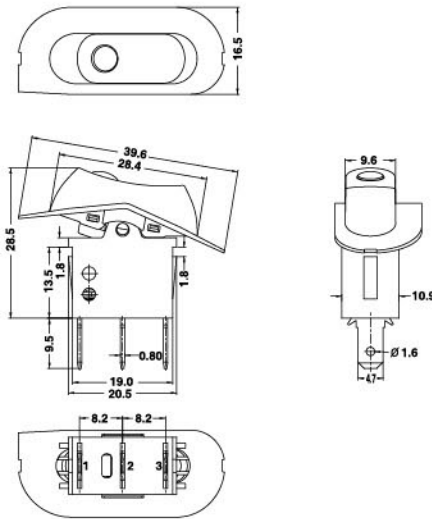
SR-95P(6)

## Specifications:

6(3)A	250VAC	T85	5E4
10(4)A	250VAC	T105/55	
16A	250VAC	T105/55	



10A	250VAC	T105
16A	125VAC	T105
1/2HP	250VAC	
1/4HP	125VAC	



## SR-95

P — H — Q — BK — BK — 1 — 0 — 0 — RE — 4

Function	Current	Terminal Type	Base Color	Button Color	Button Type	Printing	Color of Printing	Small Lens Color	Lamp Voltage	Internal Use Only
A ON-OFF	H 16A 250VAC 10(4)A 250VAC		BK Black	BK Black	1	0 None	0 None	00 None	0 None	
P ON-OFF w/lamp (Switched neutral)	6(3)A 250VAC 5E4 16A 125VAC 1/2HP 250VAC 1/4HP 125VAC			WT White	4	1	1 White	RE Red	1 12V	
	GE Grey	4		2	2 Black	GR Green	3 110V			
	RE Red	5		3	3 Red	BL Blue	4 220V			
	GR Green	6		4	4 Blue	OR Amber				
	BL Blue	6		5	5 Yellow					
	OR Amber	9								
	YE Yellow	9								