



SR-90 Series

ROCKER SWITCH



SR-90A



SR-90N



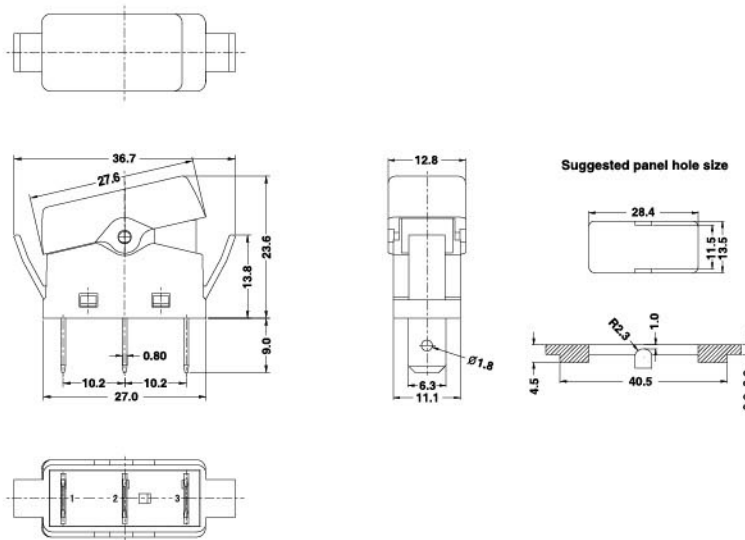
SR-90N

Specifications:

6(2)A 250VAC T125/55 5E4
10(3)A 250VAC T125/55



10.1A 250VAC T125
16A 125VAC



SR-90

N H T BK RE 3 0 0 00 4

Function	Current	Terminal Type	Base Color	Button Color	Button Type	Printing	Color of Printing	Small Lens Color	Lamp Voltage	Internal Use Only
A ON-OFF	H 10(3)A 250VAC		BK Black	BK Black	3	0 None	0 None	00 None	0 None	
N ON-OFF w/lamp (Unswitched neutral)	6(2)A 250VAC 5E4 16A 125VAC			WT White GE Grey RE Red GR Green BL Blue OR Amber		1	1 White 2 Black 3 Red 4 Blue 5 Yellow	RE Red GR Green BL Blue OR Amber	1 12V 3 110V 4 220V	