



SR-68-3 Series

ROCKER SWITCH



SR-68-3K



SR-68-3A



SR-68-3W



SR-68-3K



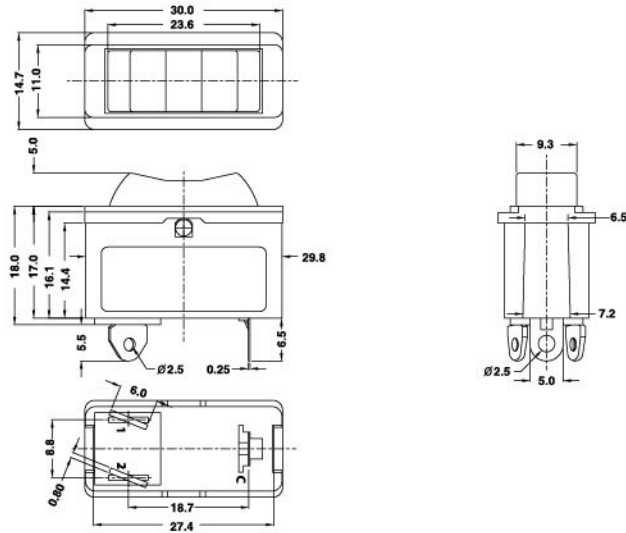
SR-68-3K

Specifications:

10(2)A 250VAC T85/55 SE4
16(3)A 250VAC T85/55



10.1A 250VAC T85
16A 125VAC



SR-68-3

| K | | L | | BK | | BK | | 1 | | 0 | | 0 | | 1 | | Internal Use Only |
|---|-----------------|------------|--------------|-------------|----------|-------------------|-----------|---|--|---|--|---|--|---|--|-------------------|
| Function | Current | Base Color | Button Color | Button Type | Printing | Color of Printing | Base Type | | | | | | | | | |
| A OFF-ON ₁₊₂ | L 16(3)A 250VAC | BK Black | BK Black | 0 None | 0 None | 0 None | 1 | | | | | | | | | |
| C ON ₁ -OFF-ON ₂ | 16A 125VAC | | WT White | 1 | 1 | 1 White | 2 | | | | | | | | | |
| K OFF-ON ₁ -ON ₁₊₂ | | | GE Grey | 4 | 2 | 2 Black | 3 | | | | | | | | | |
| W ON ₁ -ON ₂ -ON ₁₊₂ | | | RE Red | 5 | 3 | 3 Red | 4 | | | | | | | | | |
| | | | GR Green | | 4 | 4 Blue | 5 | | | | | | | | | |
| | | | BL Blue | | 5 | 5 Yellow | 6 | | | | | | | | | |
| | | | OR Orange | | 6 | 6 Silver | | | | | | | | | | |
| | | | YE Yellow | | 7 | | | | | | | | | | | |
| | | | | | 8 | | | | | | | | | | | |
| | | | | | 9 | | | | | | | | | | | |
| | | | | | A | | | | | | | | | | | |
| | | | | | B | | | | | | | | | | | |
| | | | | | C | | | | | | | | | | | |
| | | | | | D | | | | | | | | | | | |
| | | | | | E | | | | | | | | | | | |
| | | | | | F | | | | | | | | | | | |
| | | | | | G | | | | | | | | | | | |
| | | | | | H | | | | | | | | | | | |