



# SR-32 Series

ROCKER SWITCH

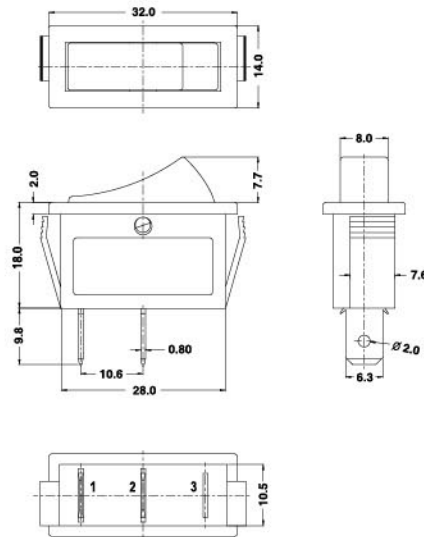


## Specifications:

10(3)A 250VAC T125/55 5E4  
 16(4)A 250VAC T125/55  
 \*10(8)A 250VAC T125/55



10.1A 250VAC T125  
 16A 125VAC  
 1/2HP 250VAC T125  
 1/4HP 125VAC



Base 1 suggested panel hole size	
Panel thickness	X
0.75-1.25	30.3
1.25-2.0	30.5
2.0-3.0	30.7

X

## SR-32

Function	Current	Terminal Type	Base Type	Base Color	Button Color	Button Type	Printing	Color of Printing	Lamp Voltage	Small Lens Color	Internal Use Only
A ON-OFF	L 16(4)A 250VAC	T		BK Black	BK Black	1	0 None	0 None	0 None	00 None	
B ON-ON	10(3)A 250VAC 5E4	T		WT White	WT White	1	1	1 White	1 12V	RE Red	
C ON-OFF-ON	16A 125VAC	T		GE Grey	GE Grey	2	2	2 Black	3 110V	GR Green	
D (ON)-OFF	H 16(4)A 250VAC	T1		RE Red	RE Red	3	3	3 Red	4 220V	BL Blue	AM Amber
E ON-(OFF)	10(3)A 250VAC 5E4	T1		GR Green	GR Green	4	4	4 Blue			
F ON-(ON)	16A 125VAC	T1		BL Blue	BL Blue	5	5	5 Yellow			
M ON-OFF-(ON)	1/2HP 250VAC	T2		OR Amber	OR Amber	6	6				
X (ON)-OFF-(ON)	1/4HP 125VAC	T2		YE Yellow	YE Yellow	7	7				
N ON-OFF w/lamp (Unswitched neutral)		Q				R	8	ON OFF			
P ON-OFF w/lamp (Switched neutral)		S				I	9	OFF ON			
I Indicator		P				A					

\*For this option, please call factory for details