



SR-23 Series

ROCKER SWITCH



SR-23A



SR-23B



SR-23C



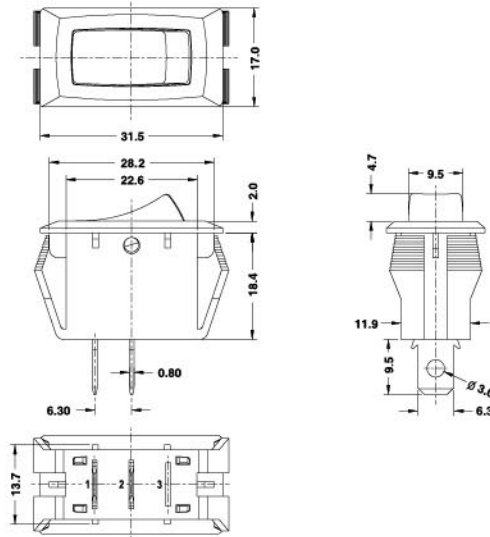
SR-23C

Specifications:

10(4)A 250VAC T105 5E4
16(6)A 250VAC T105

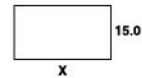


10A 250VAC T105
16A 125VAC T105
1/2HP 250VAC
1/4HP 125VAC



Suggested panel hole size

Panel thickness	X
0.8-2.0	28.8



SR-23

Function	Current	Terminal Type	Base Color	Button Color	Base Type	Button Type	Printing	Color of Printing	Internal Use Only		
A ON-OFF	L 16(6)A 250VAC		BK Black	BK Black			0 None	0 None			
B ON-ON	10(4)A 250VAC 5E4		WT White	WT White			1	1		1	1 White
C ON-OFF-ON	16A 125VAC		GE Grey	GE Grey			2	2		2	2 Black
	1/2HP 250VAC	RE Red	RE Red			3	3 Red				
	1/4HP 125VAC	GR Green	GR Green			4	4 Blue				
		BL Blue	BL Blue			5	5 Yellow				
		OR Amber	OR Amber			6					
		YE Yellow	YE Yellow			7					
						8	ON OFF				
						9	OFF ON				
						A					