



SR-22 Series

ROCKER SWITCH



SR-22A



SR-22N



SR-22N



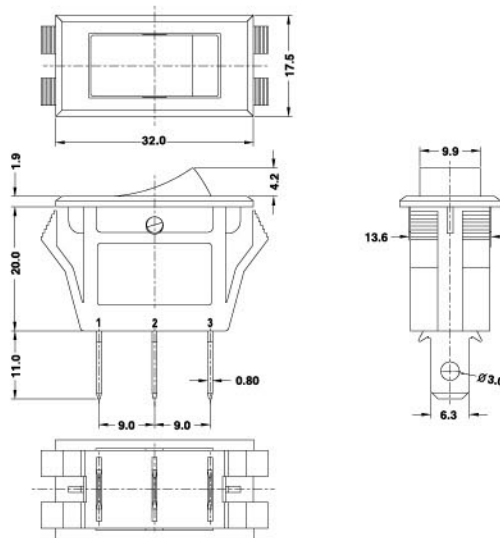
SR-22N

Specifications:

10(4)A 250VAC T125/55 5E4
16(6)A 250VAC T125/55

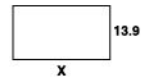


10.1A 250VAC T125
16A 125VAC



Suggested panel hole size

Panel thickness	X
0.75-3.0	29.0



SR-22

Function	Current	Terminal Type	Base Color	Button Color	Bezel/Base Type	Button Type	Printing	Color of Printing	Lamp Voltage	Internal Use Only
A ON-OFF	L 16(6)A 250VAC	T	BK Black	BK Black	1	1	0 None	0 None	0 None	
N ON-OFF w/lamp (Unswitched neutral)	10(4)A 250VAC 5E4 16A 125VAC	T1	WT White	WT White	1	1	1	1 White	1 12V	
			GE Grey	GE Grey	1	2	2	2 Black	3 110V	
			RE Red	RE Red	1	3	3	3 Red	4 220V	
			GR Green	GR Green	2	8	8	4 Blue		
		S1	BL Blue	BL Blue	2		9	5 Yellow		
			OR Amber	OR Amber	2					
		S	YE Yellow	YE Yellow	3		A			
					4		B			