



# SR-13 Series

ROCKER SWITCH



## Specifications:

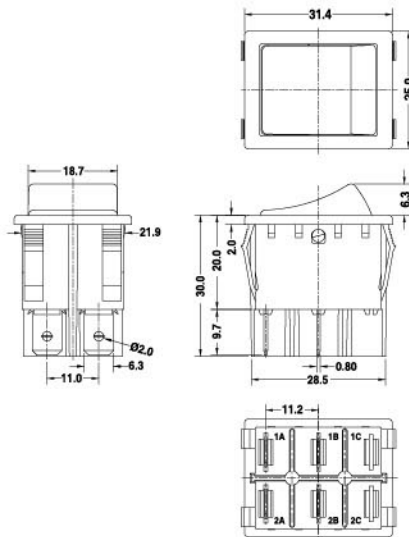
8(8)A	250VAC	T105/55	5E4
10(4)A	250VAC	T105/55	5E4
10(4)A	400VAC	T125/55	5E4
10(6)A	250VAC	T105/55	5E4
16(8)A	250VAC	T125/55	
20(3)A	250VAC	T125/55	

IP65 waterproof protection for button type no.3 (SGS approved)



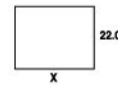
10A	250VAC	T105
16A	125VAC	T105
16A	250VAC	T105
20A	125VAC	T105
1/2HP	250VAC	T105
1/4HP	125VAC	

3/4HP	250VAC	T105
3/4HP	125VAC	
1HP	250VAC	T105
1/2HP	125VAC	



### Suggested panel hole size

Panel thickness	X
1.0-1.5	30.2
1.5-2.0	30.5
2.0-3.0	30.8



## SR-13

A 2 L T 1 BK BK 1 0 0 0 00

Function	No. of Poles	Current	Terminal Type	Base Type	Base Color	Button Color	Button Type	Printing	Color of Printing	Lamp Voltage	Small Lens Color	Internal Use Only
A ON-OFF	1 Single	L 16(8)A 250VAC	T	1	BK Black	BK Black	1 (Except functions N&P)	0 None	0 None	0 None	00 None	
B ON-ON	2 Double	16A 125VAC	T	1	WT White	WT White	1 (Except functions N&P)	1	1 White	1 12V	RE Red	
C ON-OFF-ON		1/2HP 250VAC	T	1	GE Grey	GE Grey	2 (For N&P functions only)	2	2 Black	2 24V	GR Green	
D (ON)-OFF		1/4HP 125VAC	T	1	RE Red	RE Red	2 (For N&P functions only)	3	3 Red	3 110V	BL Blue	
E ON-(OFF)		G 16(8)A 250VAC	T1	2	GR Green	GR Green	3 (For waterproof cap)	4	4 Blue	4 220V	OR Amber	
F ON-(ON)		10(4)A 400VAC	T1	2	BL Blue	BL Blue	3 (For waterproof cap)	5	5 Yellow			
M ON-OFF-(ON)		20(3)A 250VAC	T2	3	OR Amber	OR Amber	4	6				
X (ON)-OFF-(ON)		20A 125VAC	T2	3	YE Yellow	YE Yellow	4	7				
N ON-OFF w/lamp		3/4HP 250VAC	T3	4			R (Except functions N&P)	8	ON OFF			
P ON-OFF w/lamp (Switched neutral)		3/4HP 125VAC	T3	4			R (For N&P functions only)	9	OFF ON			
I Indicator			Q	5			I (For I function only)	A				