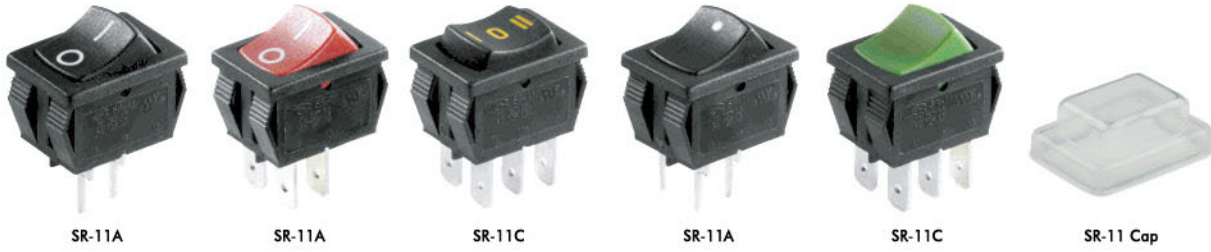




SR-11 Series

ROCKER SWITCH

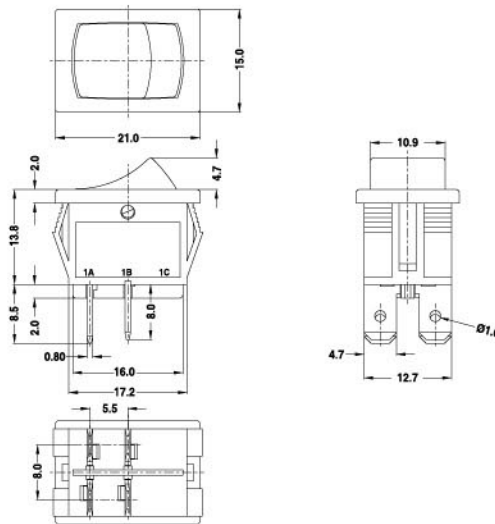


Specifications:

3A 250VAC T85
6A 250VAC T85

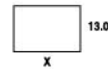


3A 250VAC T85
6A 125VAC



Suggested panel hole size

Panel thickness	X
0.75-1.25	19.2
1.25-2.0	19.4
2.0-3.0	19.6



SR-11

Function	No. of Poles	Current	Terminal Type	Base Type	Base Color	Button Color	Button Type	Printing	Color of Printing	Internal Use Only	
A ON-OFF	1 Single	S 3A 250VAC			BK Black	BK Black	2	0 None	0 None		
B ON-ON	2 Double	6A 125VAC			WT White	WT White		1	1		1 White
C ON-OFF-ON					GE Grey	GE Grey		2	2		2 Black
			RE Red	RE Red	3	3	3 Red				
			GR Green	GR Green	4	4	4 Blue				
			BL Blue	BL Blue	5	5	5 Yellow				
			OR Amber	OR Amber	6	6					
			YE Yellow	YE Yellow	7	7					
					8	8					
					9	9					
					A	A					
					G	G					