



SR-05 Series

ROCKER SWITCH

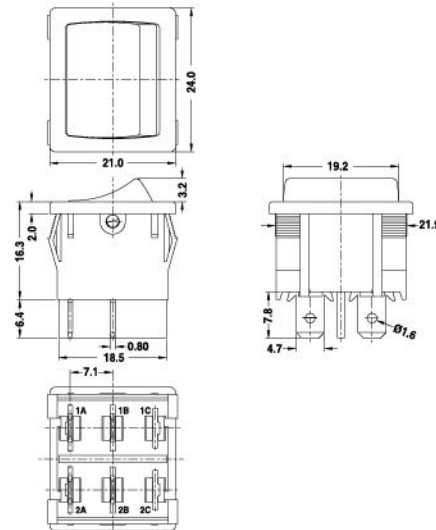


Specifications:

6(4)A 250VAC T85 5E4
 10(4)A 250VAC T105/55
 10(8)A 250VAC T105/55



6.5A 250VAC T105
 13A 125VAC T105
 8A 250VAC T105
 16A 125VAC T105
 1/2HP 250VAC T105
 1/4HP 125VAC T105



Suggested panel hole size

Panel thickness	X
0.75-1.25	19.2
1.25-2.0	19.4
2.0-3.0	19.6



SR-05

A 2 L Q 1 BK BK 1 0 0 0

Function	No. of Poles	Current	Terminal Type	Base Type	Base Color	Button Color	Button Type	Printing	Color of Printing	Lamp Voltage	Internal Use Only
A ON-OFF	1 Single	M 10(4)A 250VAC	Q	2.0 21.0 24.0	BK Black	BK Black	1 (Except function N)	0 None	0 None	0 None	
B ON-ON	2 Double	13A 125VAC	Q	2.0 21.0 24.0	WT White	WT White	2 (For N function only)	1	1 White	1 12V	
C ON-OFF-ON		L 10(8)A 250VAC	Q1	2.0 21.0 24.0	GE Grey	GE Grey		2	2 Black	2 24V	
D (ON)-OFF		6(4)A 250VAC 5E4	Q1	2.0 21.0 24.0	RE Red	RE Red		3	3 Red	3 110V	
E ON-(OFF)		16A 125VAC	Q1	2.0 21.0 24.0	GR Green	GR Green		4	4 Blue	4 220V	
F ON-(ON)		1/2HP 250VAC	Q2	2.0 21.0 24.0	BL Blue	BL Blue		5	5 Yellow		
M ON-OFF-(ON)		1/4HP 125VAC	S	2.0 21.0 24.0	OR Amber	OR Amber		8	ON OFF		
N ON-OFF w/lamp			S1	2.0 21.0 24.0	YE Yellow	YE Yellow		9	OFF ON		
X (ON)-OFF-(ON)			P1	2.0 21.0 24.0				A			
			P3	2.0 21.0 24.0							
			P6	2.0 21.0 24.0							