



SR-03 Series

ROCKER SWITCH



SR-03A



SR-03A



SR-03P



SR-03P



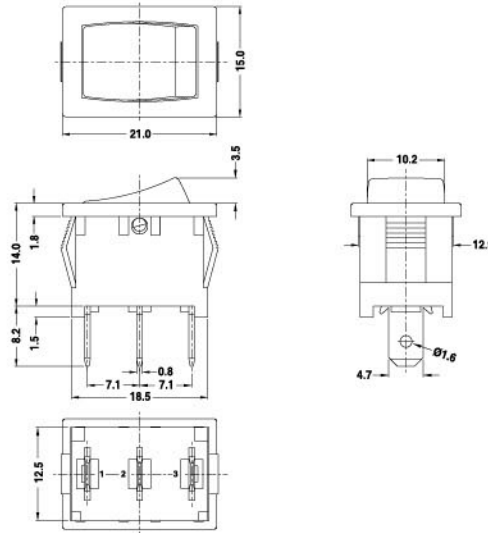
SR-06 Cap

Specifications:

6(4)A 250VAC T85 T105/55 5E4
 10(8)A 250VAC T85 T105/55



10A 250VAC T105
 16A 125VAC
 1/2HP 250VAC T105
 1/4HP 125VAC



Suggested panel hole size

Panel thickness	X
0.75-1.25	19.2
1.25-2.0	19.4
2.0-3.0	19.6



SR-03

P		H		Q		BK		RE		2		0		0		4		Internal Use Only
Function	Current	Terminal Type		Base Color	Button Color	Button Type	Printing	Color of Printing	Lamp Voltage									
A ON-OFF	10(8)A 250VAC	Q		BK Black	BK Black	2	0 None	0 None	0 None									
P ON-OFF w/lamp (Switched neutral)	6(4)A 250VAC 5E4 16A 125VAC 1/2HP 250VAC 1/4HP 125VAC	S1		WT White	WT White		1	1 White	3 110V									
				GE Grey	GE Grey		2	2 Black	4 220V									
				RE Red	RE Red		3	3 Red										
				GR Green	GR Green		4	4 Blue										
				BL Blue	BL Blue		5	5 Yellow										
				OR Amber	OR Amber		8											
				YE Yellow	YE Yellow		9											
							A											
							B											