



SR-01 Series

ROCKER SWITCH



SR-01A



SR-01A



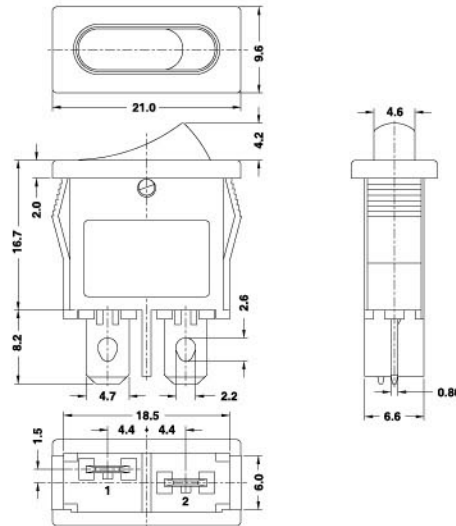
SR-01 Cap

Specifications:

13(2)A 250VAC T85

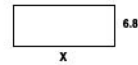


6A 250VAC T85
12A 125VAC



Suggested panel hole size

Panel thickness	X
0.75-1.25	19.2
1.25-2.0	19.4
2.0-3.0	19.6



SR-01

A	L	Q	BK	BK	2	0	0	Internal Use Only
Function	Current	Terminal Type	Base Color	Button Color	Button Type	Printing	Color of Printing	
A ON-OFF	L 13(2)A 250VAC 12A 125VAC		BK Black WT White GE Grey RE Red GR Green BL Blue OR Amber YE Yellow	BK Black WT White GE Grey RE Red GR Green BL Blue OR Amber YE Yellow	2	0 None 1 2 3 4 5 A	0 None 1 White 2 Black 3 Red 4 Blue 5 Yellow	