



SM-53 Series



SM-53F



SM-53D

Specifications:

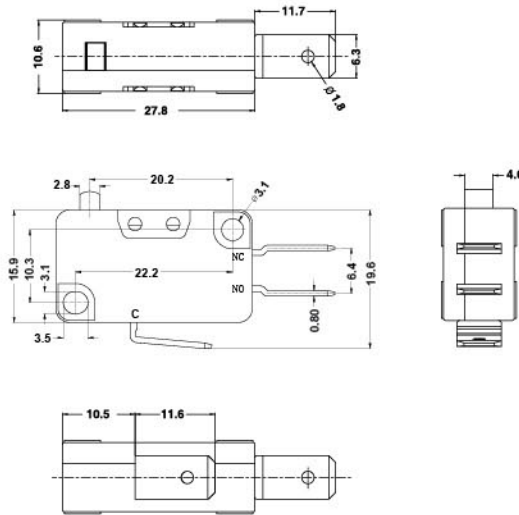
10(4)A 250VAC T105 5E4
16(8)A 250VAC 40T105



11A	250VAC	T105
16A	125VAC	T105
11A	250VAC	T105
20A	125VAC	T105
1/2HP	250VAC	T105
1/4HP	125VAC	



3/4HP 250/125VAC T105 6E3
10(4)A 250/125VAC T105 1E5



SM-53

Function	Current	*Operating Force Options	Base Color	Terminal Type	Lever Position	Lever / Knob Type	Internal Use Only	
D (ON-OFF)	H 16(8)A 250VAC	1 60 g.f	BK Black	Q	N No Lever	0		
E ON-(OFF)	10(4)A 250VAC 5E4	2 100 g.f				S Standard ratio		1 27.4
F ON-(ON)	16A 125VAC	3 150 g.f						H High ratio
	L 16(8)A 250VAC	4 200 g.f			4 40.0			
	10(4)A 250VAC 5E4	5 250 g.f		T		5 23.6 R3.1		
	20A 125VAC	6 350 g.f						
	1/2HP 250VAC			T2				
	1/4HP 125VAC							

*60g.f not apply to L Rating
*Operating force measured at the knob

MICRO SWITCH