



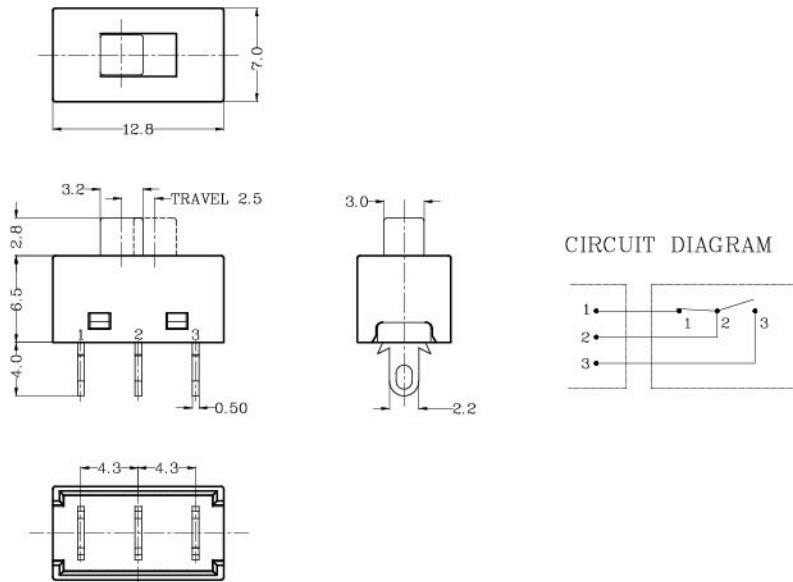
SL-503 Series



SL-503

Specifications:

3(1)A	250VAC	T105		3(1)A 4A GP	125VAC/250VAC 125VAC	T105 T105	
							*UL61058 approved



SL-503

Circuit	
S	1P2T

Current	
S	3(1)A 250VAC 4A GP 125VAC

Knob Type	
1	

Terminal Type	
S	

Internal Use Only

SLIDE SWITCH