



SL-308 Series



SL-308

Specifications:

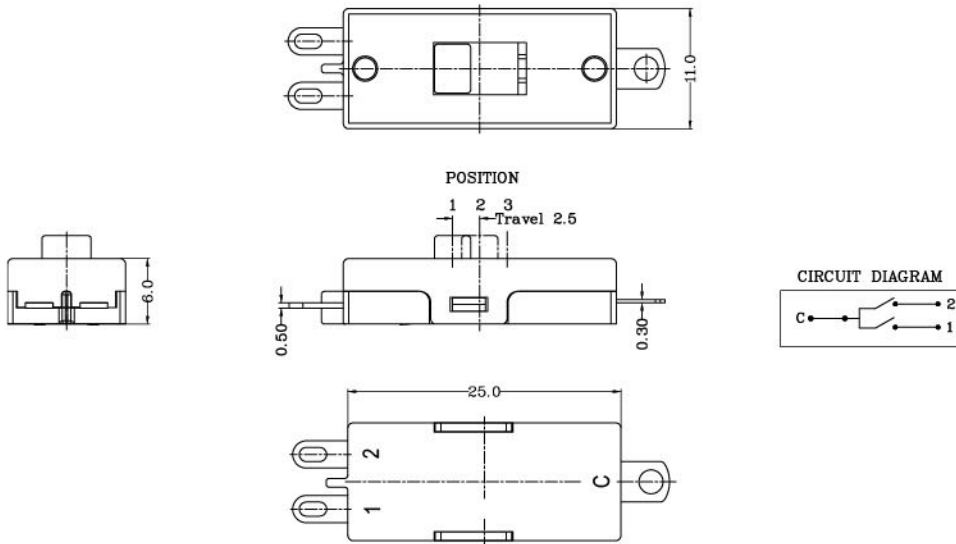
5(2)A 250VAC T85



5(2)A
10A GP

125VAC/250VAC
125VAC

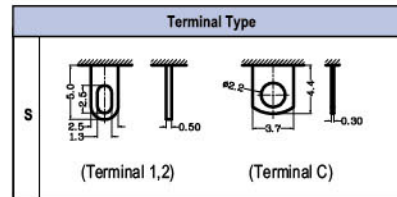
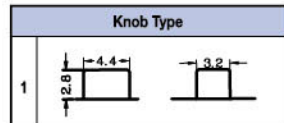
T85
T85



SL-308

Circuit
001
More

Current
L 5(2)A 250VAC
10A GP 125VAC



Internal Use Only

SLIDE SWITCH

Circuit Options

CIRCUIT 001 *

POSITION	ELECTRIC CIRCUIT	
	C-1	C-2
1		
2	●	
3	●	●

*With production mould
For more circuit options, please call factory.