



SL-306 Series



SL-306



SL-306

Specifications:

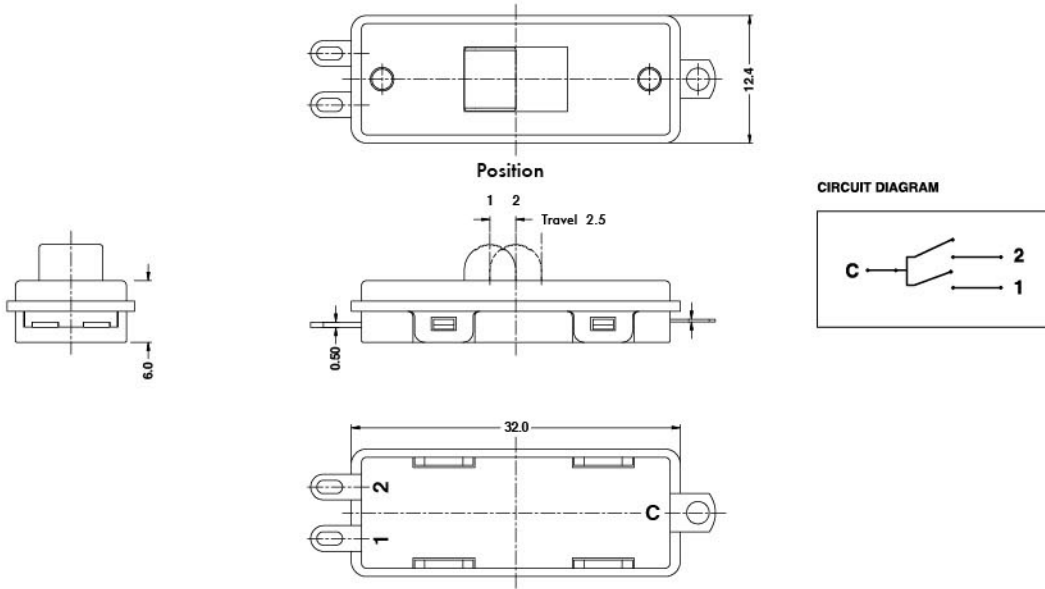
16(3)A 250VAC T85



16(3)A 125VAC/250VAC T85



*UL61058 approved



SL-306

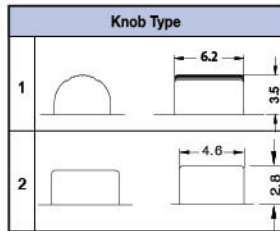
001

Circuit
001
More

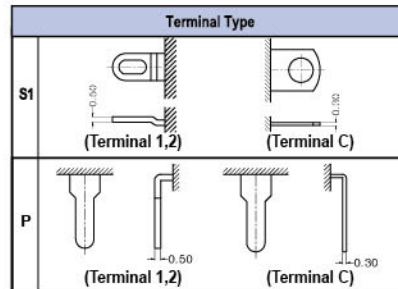
L

Current
L 16(3)A 250VAC

1



S



Internal Use Only

Circuit Options

CIRCUIT 001 *		
POSITION	ELECTRIC CIRCUIT	
	C-1	C-2
1		
2	●	
3	●	●

*With production mould
For more circuit options, please call factory.

SLIDE SWITCH