

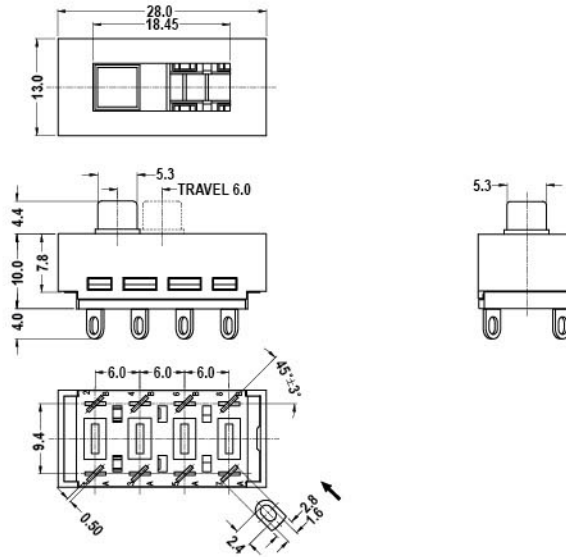


Specifications:

10(2)A 250VAC T85



8A 16A 250VAC 125VAC T125



SL-102

23		L		2		S	
Circuit	Ref: Base Dimension	Current	Knob Type	Terminal Type	Internal Use Only		
11 1P1T		L 10(2)A 250VAC	1	S			
21 2P1T		16A 125VAC	2	S1			
12 1P2T			3	P1			
22 2P2T							
13 1P3T							
23 2P3T							
14 1P4T							
24 2P4T							

SLIDE SWITCH