



SD-83/88 Series

Patent No.: 200620136974.3



Specifications:

13A 250VAC

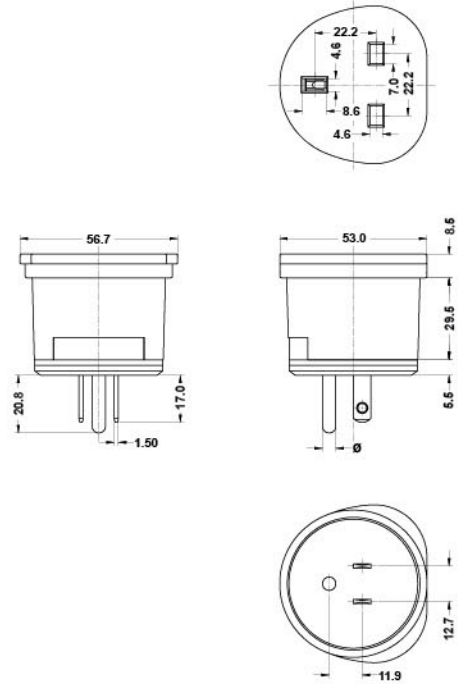


SD-83

Plug Type		
1 CHINA / AUS. Type	4 SWISS Type	7 FRANCE / GERMANY Type
2 USA Type	6 S. Africa Type	8 INDIA Type
3 ITALY Type		

Base Color: BK Black

Internal Use Only



ADAPTOR



Specifications:

Input: 100-250VAC 50/60Hz
Output: 5VDC 1A



SD-88

Plug Type		
1 CHINA / AUS. Type	4 SWISS Type	7 FRANCE / GERMANY Type
2 USA Type	5 UK Type	8 INDIA Type
3 ITALY Type	6 S. Africa Type	

Base Color: BK Black

Internal Use Only

