



SB-52 Series

Patent No.: 0412264.6 / ZL 200430113085.1 / US D511,504S



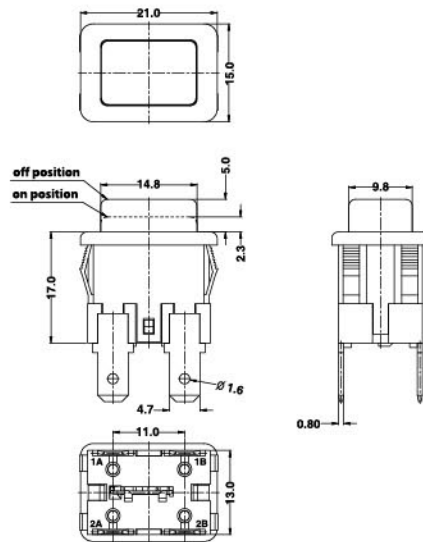
Specifications:

10(6)A 250VAC T105 5E4
16(6)A 250VAC T105

IP65 waterproof protection for button type no.6 (SGS approved)



10A 250VAC T105
16A 125VAC T105
1/2HP 250VAC T105
1/4HP 125VAC T105

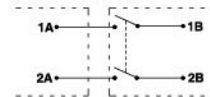


Suggested panel hole size

Panel thickness	X
0.75-1.25	19.2
1.25-2.0	19.4
2.0-3.0	19.6



CIRCUIT DIAGRAM



SB-52

Function	No. of Poles	Current	Base Color	Knob Color	Base Type	Knob Type	Terminal Type	Lamp Voltage	Internal Use Only
A ON-OFF w/lock	1 Single	L 16(6)A 250VAC	BK Black	BK Black	 1	 1	 Q	 S4	0 None 1 12V 3 110V 4 220V
(ON)-OFF	2 Double	10(6)A 250VAC 5E4	WT White	WT White					
D (ON)-OFF w/sound		16A 125VAC	GE Grey	GE Grey					
N ON-OFF w/lamp		1/2HP 250VAC	RE Red	RE Red					
R (ON)-OFF w/lamp		1/4HP 125VAC	GR Green	GR Green					
			BL Blue	BL Blue					
			OR Amber	OR Amber					
			YE Yellow	YE Yellow					
					2	 2	 T	 P2	
					3	 3	 Q1	 P3	
					6	 6 Waterproof	 T1	 P7	
					7	 7	 S	 P7	

PUSH SWITCH