



SB-30 Series



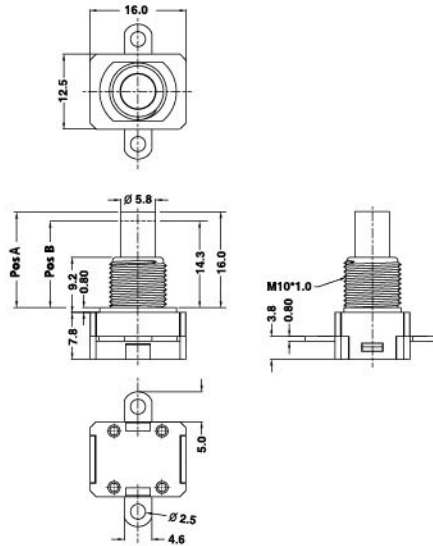
Specifications:

3A 250VAC T85
 6(3)A 250VAC T85
 10(3)A 250VAC T85

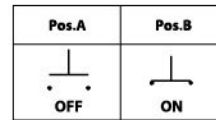
5E4



3A 250VAC T125
 6A 125VAC
 8A 250VAC T125
 16A 125VAC



CIRCUIT DIAGRAM



SB-30

A		S		BK		BK		1		1		S		Internal Use Only
Function		Current		Base Color		Knob Color		Housing Type		Knob Type		Terminal Type		
A	ON-OFF w/lock	S	3A 250VAC	BK	Black	BK	Black	1		1		S		
D	(ON)-OFF		6A 125VAC					2		2		Q		
		H	10(3)A 250VAC											
			6(3)A 250VAC 5E4											
			16A 125VAC											

*Remarks:
 Screw nut is available upon request.

PUSH SWITCH