



LH-580/581 Series

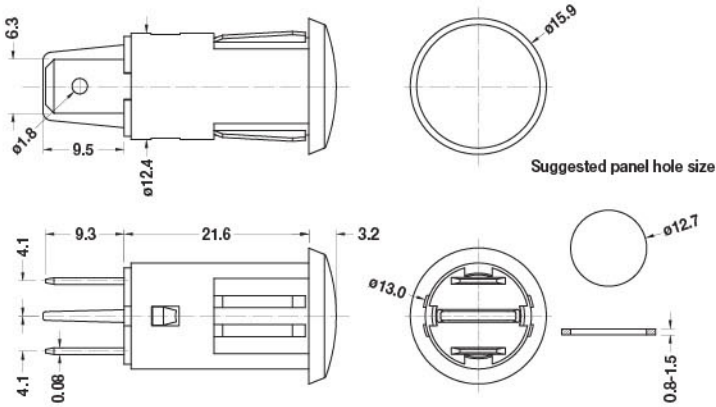


Specifications:

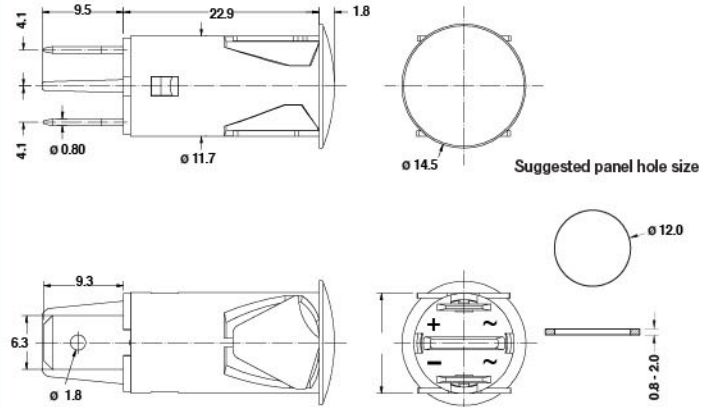
Neon and Fluorescent bulbs	110(130)V, 230(250)V, 400V	T100 T125	
LED	2V, 6V, 12(14)V, 24(28)V, 36V, 48V, 400V, 110V/230V	T85 T125	

Neon and Fluorescent bulbs	110(130)V, 230(250)V, 400V	T100	
LED	2V, 6V, 12(14)V, 24(28)V, 36V, 48V, 400V, 110V/230V	T85	

Cover Type 1



Cover Type 2



LH-58

Type	Cover Type	Button Color	Lamp Type/Voltage	Terminal Type/Lead Wire
0 QC Terminal		AM Amber	N01 Neon 110(130)V	
1 w/Lead Wire		CL Clear	N02 Neon 230(250)V	
		RE Red	N03 Neon 400V	1 Lead Wire 100mm Other length of lead wire are available upon request
		GR Green	L11 LED 6V	
		L12 LED 12 (14)V		
		L13 LED 24 (28)V		
		L14 LED 2V		
		L15 LED 36V		
		L16 LED 48V		
		L20 LED 400V		
		L21 LED 110V/230V(100-250V)		

Internal Use Only

Remarks:

- Standard Rating
2~400V=1.0W Max
- Terminal Q and T not applicable to LH-581

INDICATOR LAMP